

# Ihumanea Pāngarau Te Whētui Tapatoru MĀ TE KAI AKO

## Kia Mōhio te Ākonga ki:

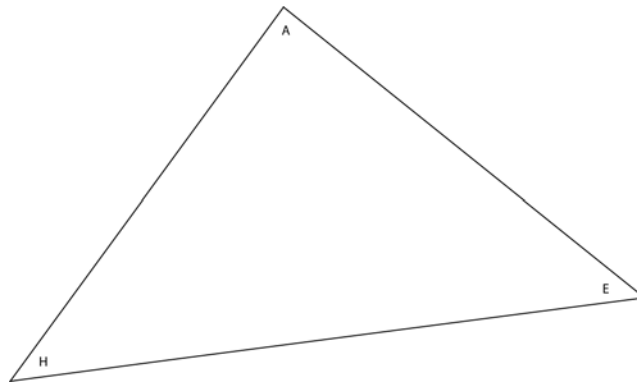
- ngā tikanga o te tapatoru waerite
- ngā tikanga o te tapawhā hāngai

## Kupu Matua:

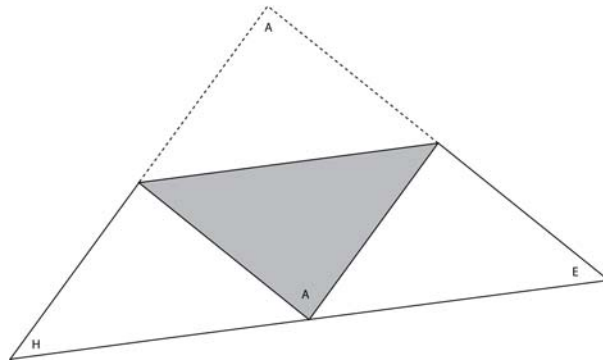
tapatoru, pūwaenga, taparara, tapatoru waerite, koki hāngai, tapawhā hāngai

## Hei Mahi:

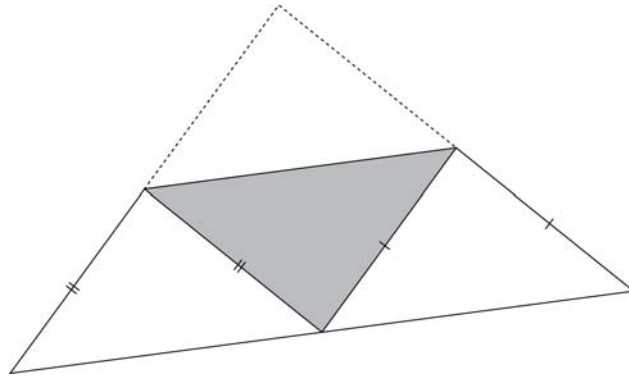
1. Tikina tētahi pepa, e whai kano ana tētahi taha.
2. Tuhia tētahi tapatoru nui ki te pepa, ka tapahi ai. Kei a koe anō te āhua o te tapatoru. Tohua ngā koki o te tapatoru ki nga pūmatua A, E me H. Inea ngā tapa poto e rua, ka tohu ai i ngā pūwaenga.



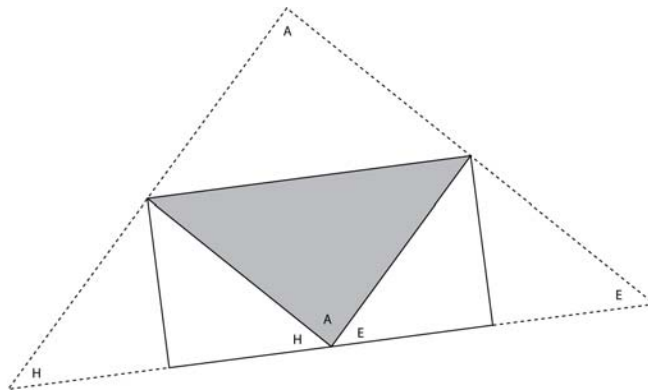
3. Whētuitia te tapatoru i te rārangi e hono ana i ngā pūwaenga e rua nei.



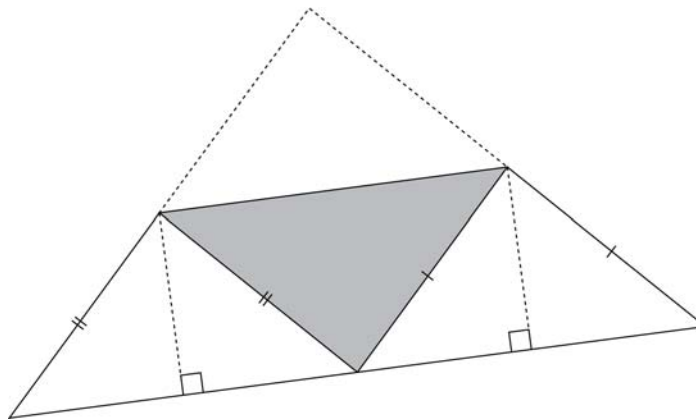
4. Whakamāramatia mai te āhua kua hua mai.  
He taparara. He whakarara te tapa whētui me te tapa pūtaka o te tapatoru. E toru ngā tapatoru e whakaaturia ana i te taparara. He tapatoru waerite ngā tapatoru kei ngā pito. E tohua ana ngā tapa rite o ia tapatoru i te pikitia nei.



5. Whētua ngā kokonga H me E kia noho piritata ki te kokonga A.



6. He aha te āhua kua hua mai?  
He tapawhā hāngai.
7. Whakamāramatia he aha i puta ai taua āhua? Ka pēnei anō te āhua ka puta ahakoa te āhua o te tapatoru i te tīmatanga? Whakamātauria.  
Ina whētua ngā tapatoru waerite ka hua mai he koki hāngai ki ngā pito e rua o te pūtake o te tapawhā hāngai. He taparara te pūtake me te tapa runga, nō reira he tapawhā hāngai te āhua ka puta.



Ka pēnei anō te āhua ka puta, ahakoa te āhua o te tapatoru i te tīmatanga.