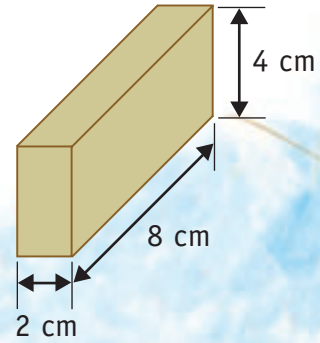


Fitting It In

You need cardboard scissors a ruler
 sticky tape multilink cubes

Activity

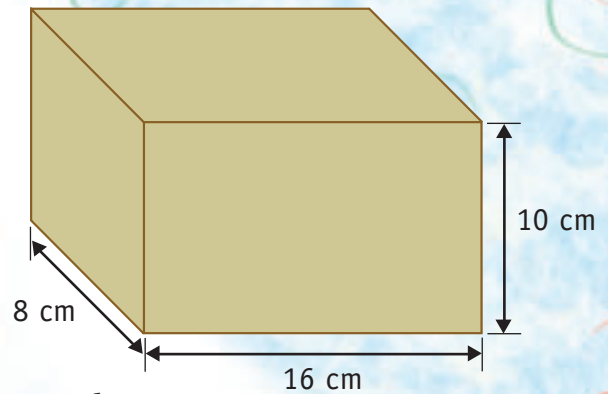
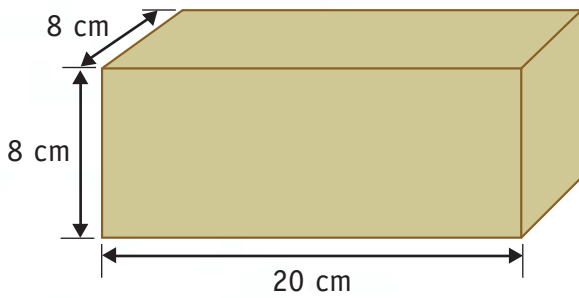
Cyril's Cereal Factory made a new breakfast cereal called Branbix. Here is the size of one:



1. Use multilink cubes to make a block the size of one Branbix.

How many cubes did you use?

2. Here are two boxes that Cyril's factory has designed to hold Branbix:



Cyril wants each Branbix box to hold 20 Branbix. He is not sure that these two boxes are the right size.

- a. Make each box to see if they can hold exactly 20 Branbix.
- b. Design some other boxes that Cyril could use to hold 20 Branbix.