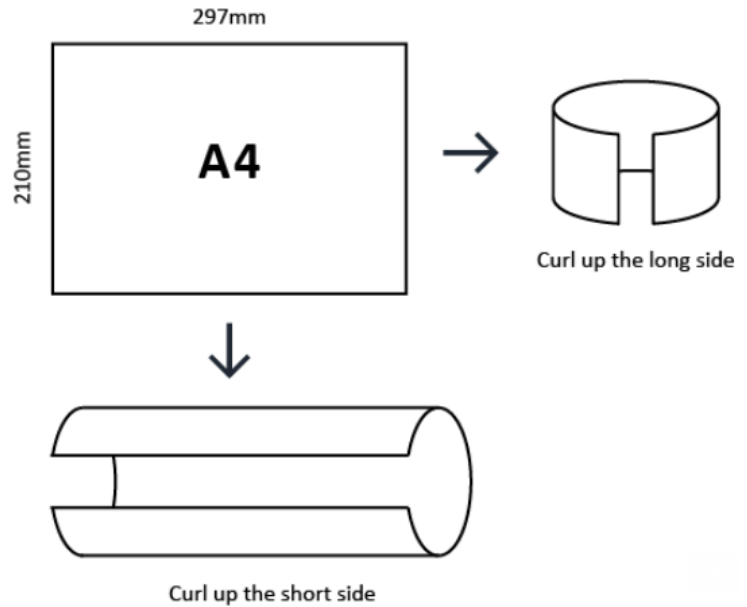


A4 cylinders

By rolling A4 sized rectangles of paper you can make two different 'open' cylinders, like this:



Which of the two cylinders has the greatest volume?
What sized rectangle of paper will produce cylinders with the same volume when rolled in this way?