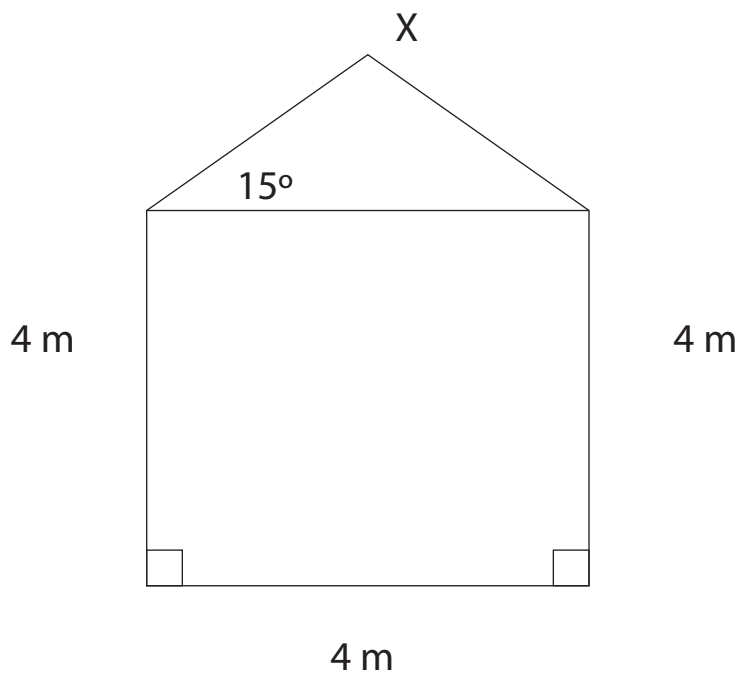


Below is a drawing of the side of another house. The two sloping sides of the house are equal in length.

Find all of the angles of the pentagonal shape.



Use ruler and compass to construct a scale drawing of the side of the house.

Check the angle sizes using a protractor.

This side of the house badly needs painting. A 1 litre can of paint will cover 4 m^2 and costs \$5. How much will it cost for the paint in order to put one coat of paint on the side of the house?